

# Application #1

- » For more than 75 years, TE Connectivity has worked with customers to produce advanced connectivity and sensor products. This application shows the measurement of a precision die used to produce connectors in the electronics industry.



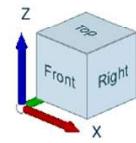
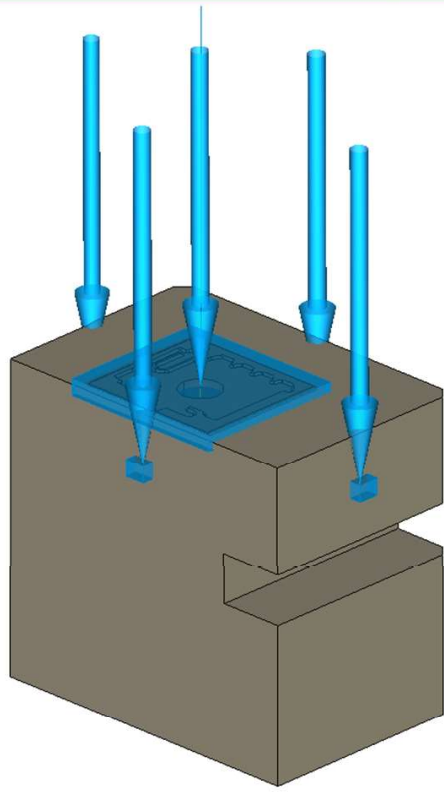
Bruker alicona

**Project Data**

- CAD
- 11-0275587-01278
- Measurement Results
- Data

- Load CAD File
- Define Measurement Areas

- Surface 4
- Surface 5
- Coordinate Systems
- Maschine
- Documents



**Measurement Plan**

- Non-Repeatable ...
  - Setup
- Surface 1 Measur...
- Distanz 19 Speci...
- Distanz 19-Verif.
- Distanz 13 Speci...
- Distanz 13-Verif.
- Surface 2 Measur...
- Surface 3 Measur...
- Surface 4 Measur...
- Surface 5 Measur...
- Inspect Evaluation

**Start**



The screenshot displays the MetMax software interface. At the top, the menu bar includes Start, Measurement, PMI, Evaluation, Report, Utilities, Simulation, and View. Below the menu bar is a toolbar with icons for New, Open, Save, Release, Load CAD, Load 3D Data, Clamp Sample, Ref Pos, Custom Step, Undo, Redo, LiveView, and Labor...odule. The Project Data tree on the left shows a CAD model with dimensions Distanz 19 and Distanz 13. The central 3D view shows a grey 3D model of a part with a measurement dimension of  $13.4 \pm 0.01$  indicated by a blue arrow. The Measurement Plan list on the right includes CAD Import, Non-Repeatable..., Surface 1 Measur..., Distanz 19 Speci..., Distanz 19-Verif. (highlighted), Distanz 13 Speci..., Distanz 13-Verif., Surface 2 Measur..., Surface 3 Measur..., Surface 4 Measur..., Surface 5 Measur..., and Inspect Evaluation. A Start button is located at the bottom right of the Measurement Plan list. The status bar at the bottom shows Measurement Instrument, Rotation Unit, Clamped, Synchronization, and Simulation.

- Set Up PMI
- Run Measurement Plan



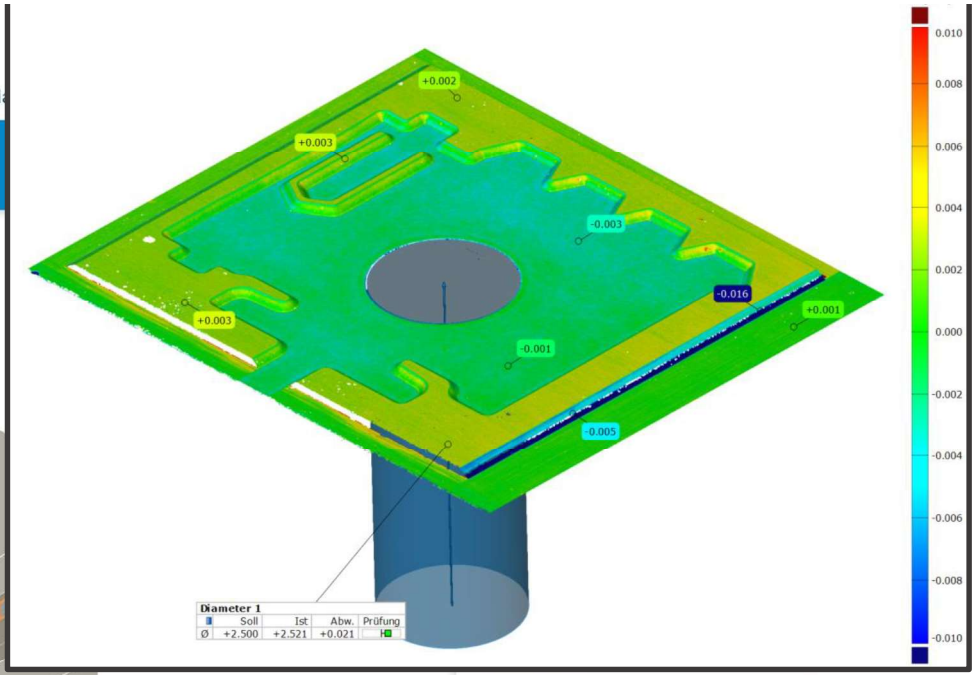
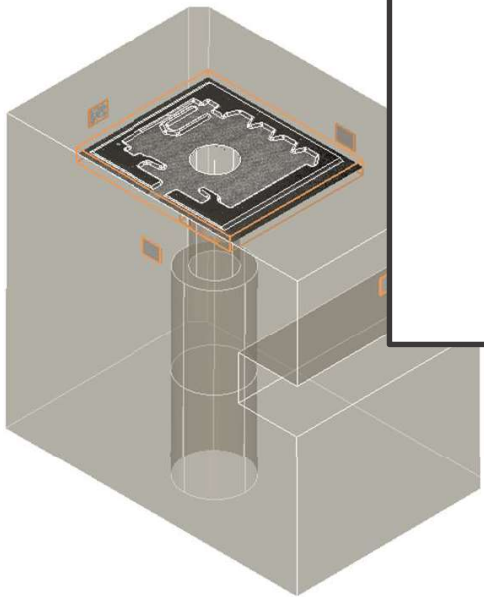
Bruker alicona

**Project Data**

- 11-0275587-01278
  - Distanz 19
  - Distanz 13
- Measurement Results

**CAD Comparison**

- Distanz 13 Daten 1
  - Distanz 13 Daten 2
- Surface 2
  - Fläche 2 Daten 1
- Surface 3
  - Fläche 3 Daten 1
- Surface 4
  - Fläche 4 Daten 1
- Surface 5



- Surface 2 Measur...
- Surface 3 Measur...
- Surface 4 Measur...
- Surface 5 Measur...
- Inspect Evaluation

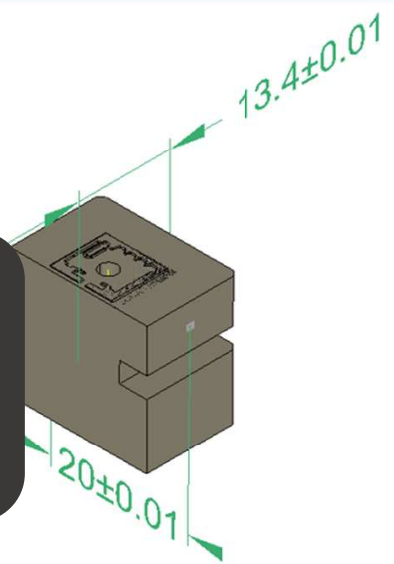
**Start**



Bruker alicona

Project Data

- Fläche 5 Daten 1
- Geometries
  - Distanz 19
  - Distanz 13
- Coordinate Systems
- Maschine
- Documents
  - Inspect-Projekt 1
    - Unbenannt-1
    - Unbenannt-2
    - Unbenannt



• Enter Keywords

Enter Keywords

Enter the data for the keywords.

Part number

Serial number

Operator

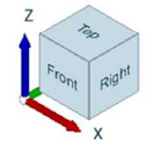
Cancel Finish

Mandatory fields (\*) are required to be filled out to proceed.

Measurement Plan

- CAD Import
- Non-Repeatable ...
- Surface 1 Measur...
- Distanz 19 Speci...
- Distanz 19-Verif.
- Distanz 13 Speci...
- Distanz 13-Verif.
- Surface 2 Measur...
- Surface 3 Measur...
- Surface 4 Measur...
- Surface 5 Measur...
- Inspect Evaluation

Start



Project Data

Fläche 5 Daten 1

Geometries

Distanz 19

Distanz 13

Coordinate Systems

Maschine

Documents

Inspect-Projekt 1

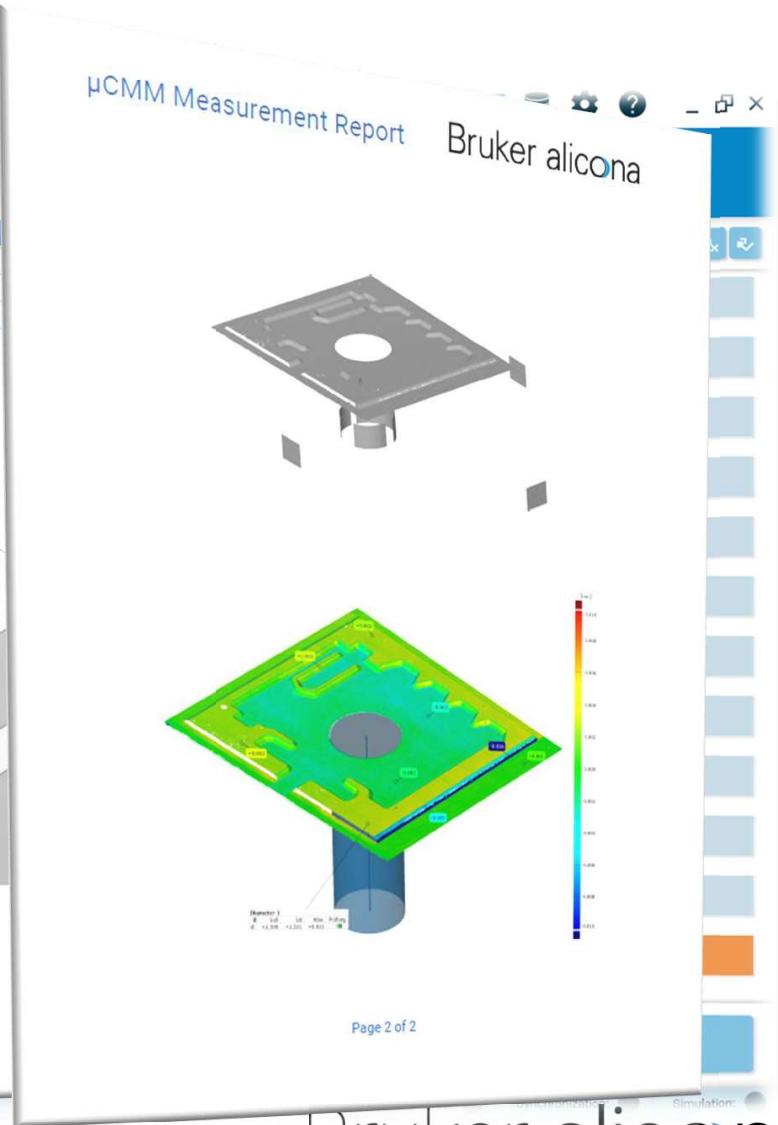
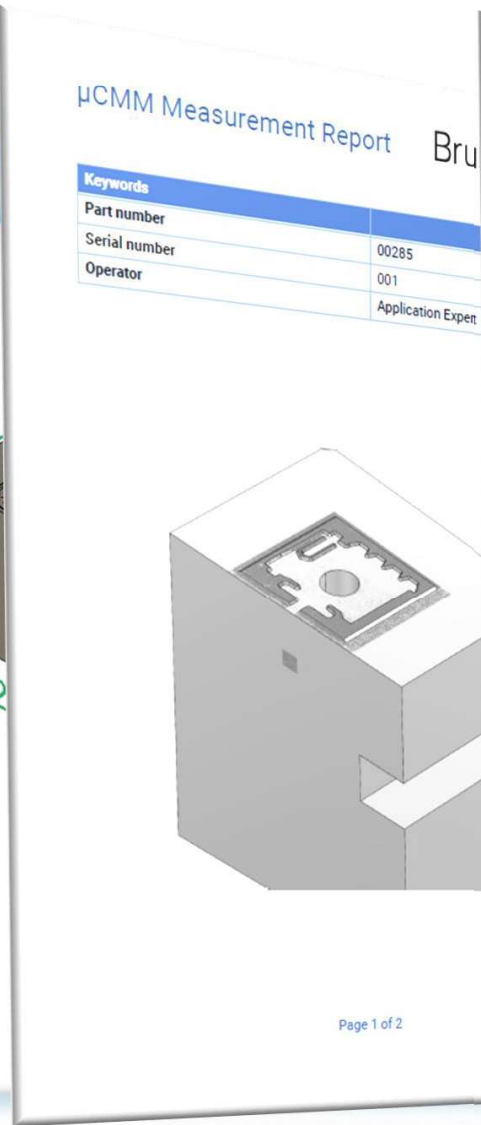
Unbenannt-1

Unbenannt-2

Unbenannt



• Automatic Report Creation



Bruker alicona